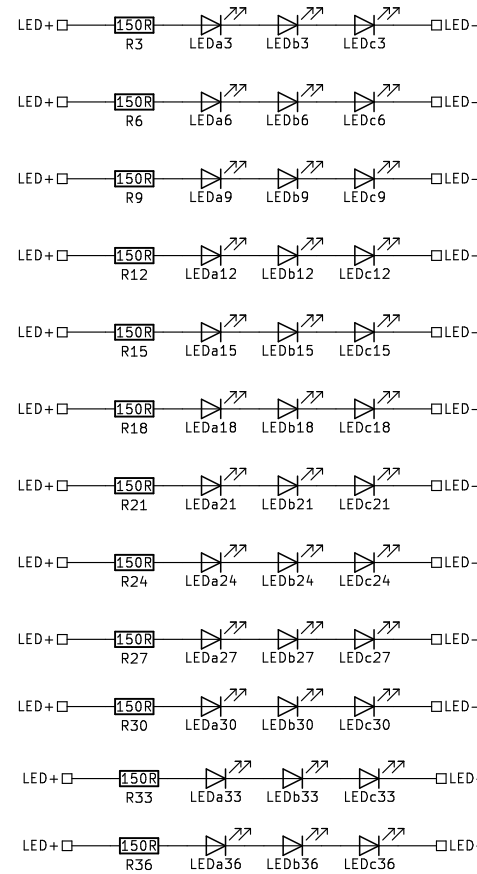
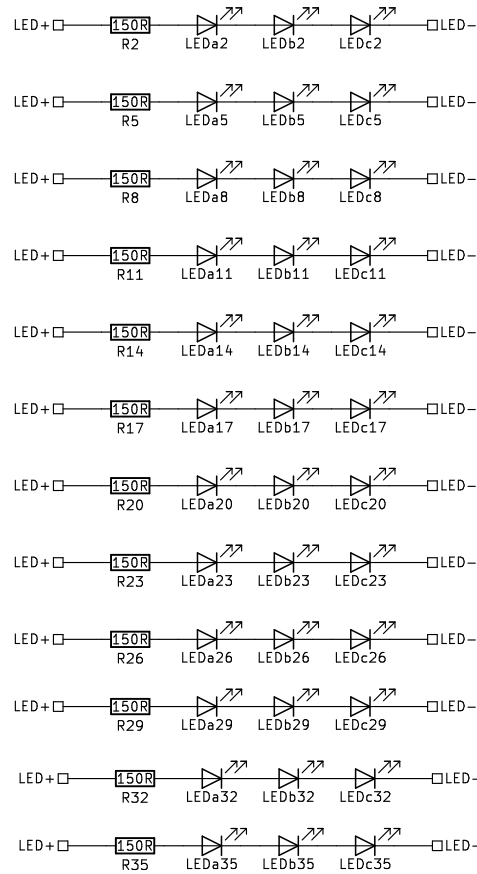
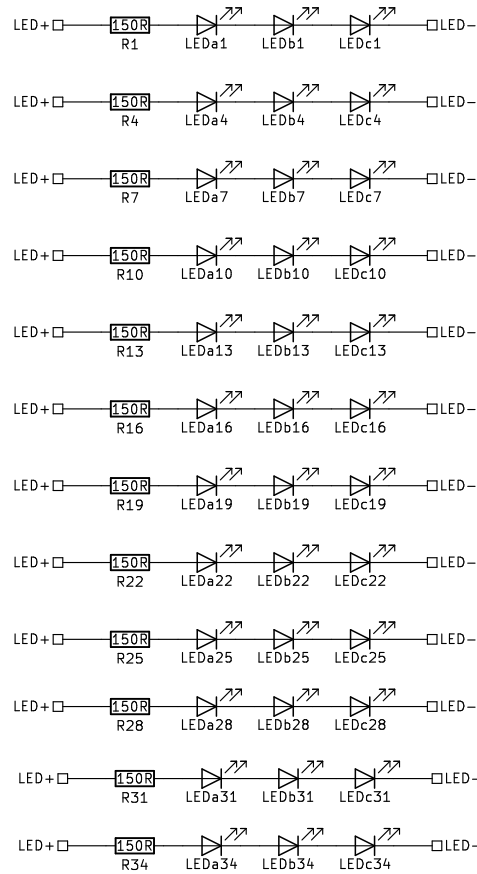


1 2 3 4 5 6

A

A



B

B

C

C

D

D

1 2 3 4 5 6

Sheet: /LED Array/ File: LED_array.sch		
Title: KLB-10 UV exposure box with timer		
Size: A4	Date: 2018-09-20	Rev: 1.0b
KiCad E.D.A. kicad (5.0.0)		Id: 2/2